

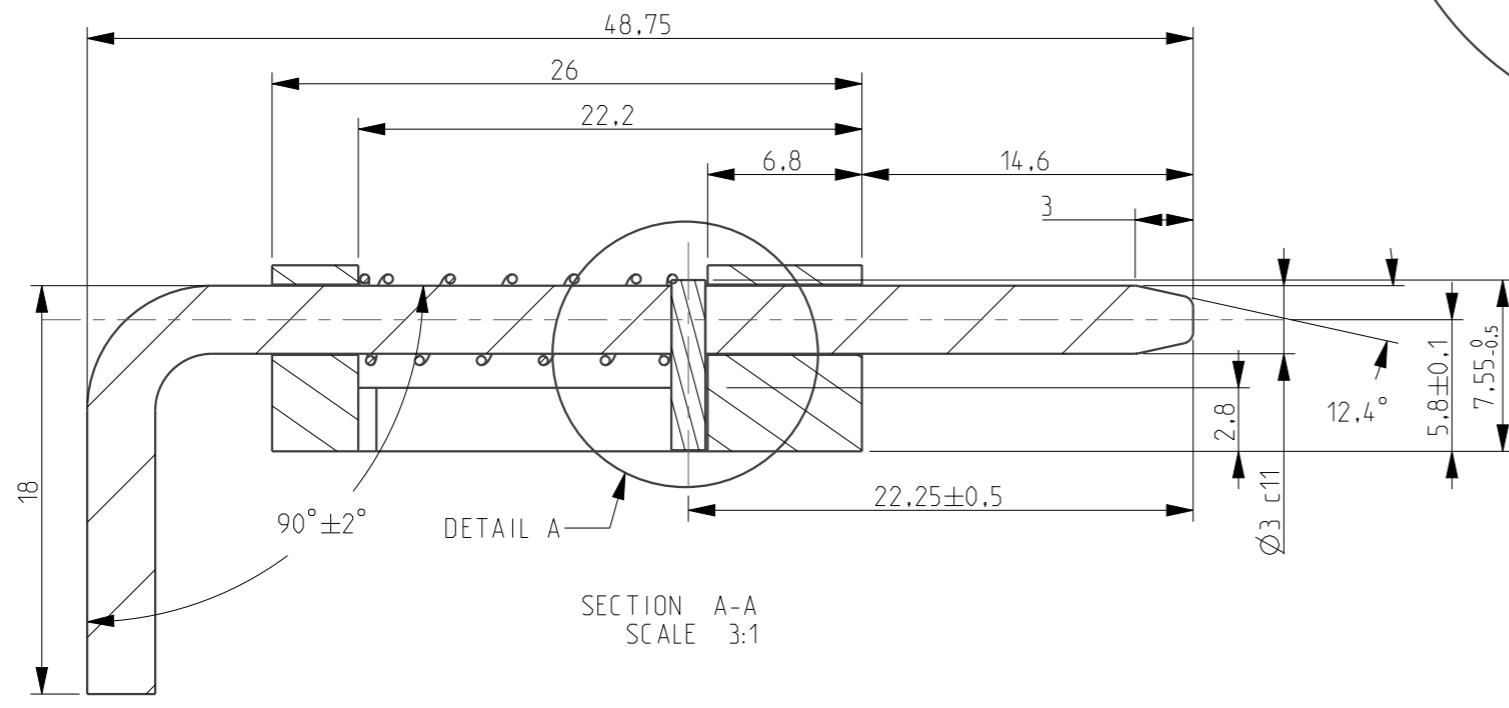
SCALE 2:1

D1001502
 part name : body
 material : aluminum (AlmgSi0.5 or equivalent)
 finish : remove burrs
 surface treatment : blank anodizing

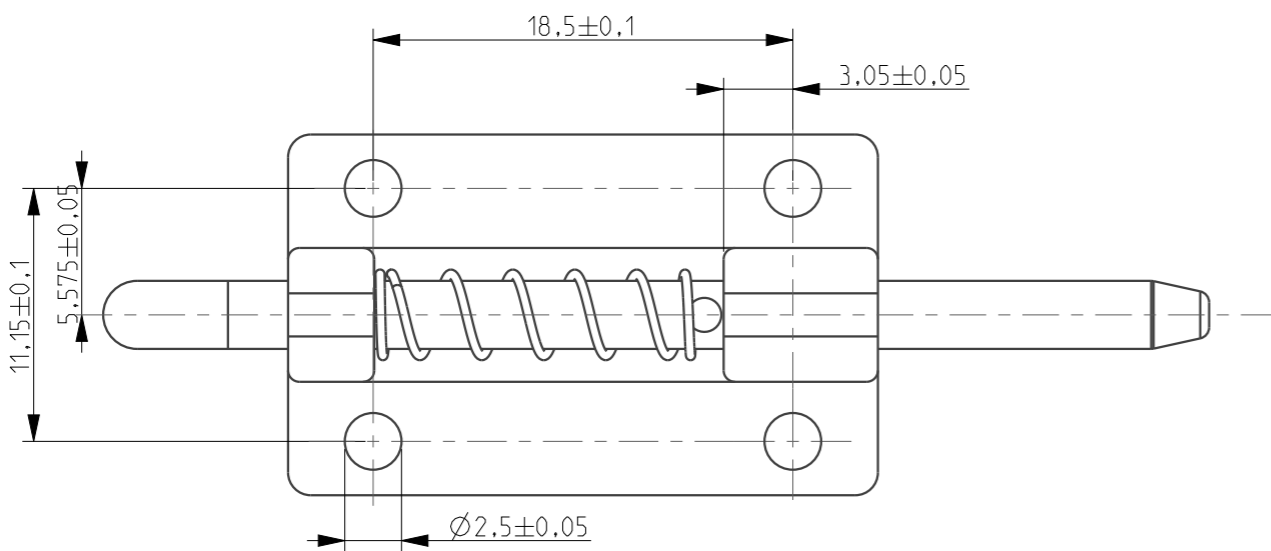
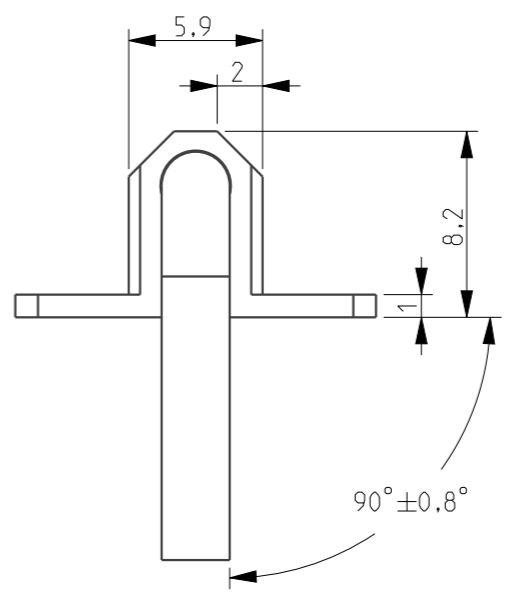
D1001503
 part name : bended axle
 material : stainless steel AISI303

D1001504
 part name : pin
 material : stainless steel AISI303

D1001505
 part name : spring
 material : stainless steel



SECTION A-A
 SCALE 3:1



00										16/04/15	DAVR		
INDEX	CHANGE	DESCRIPTION OF MODIFICATION								DATE	NAME		
ALL DIMENSIONS ARE IN MM										PROJECTION EURO	SCALE	MATERIAL	WEIGHT (Kg)
General Tolerances ISO2768mK										1:1		0,0	
Nin.	0.5	30	120	315				PART NAME					
Dim.	30	120	315	1000	PUNCH	BEND	MILLING	ASSEMBLY DRAWING					
ToI.	±0.2	±0.3	±0.5	±0.8	±0.15	±0.25	±0.05	PROJECT					
DAVANTECH										D1001501			
This document is confidential and may not be made use of by or communicated to third parties without permission of Davantech Co., Limited										SHEET 1 OF 1		A3	