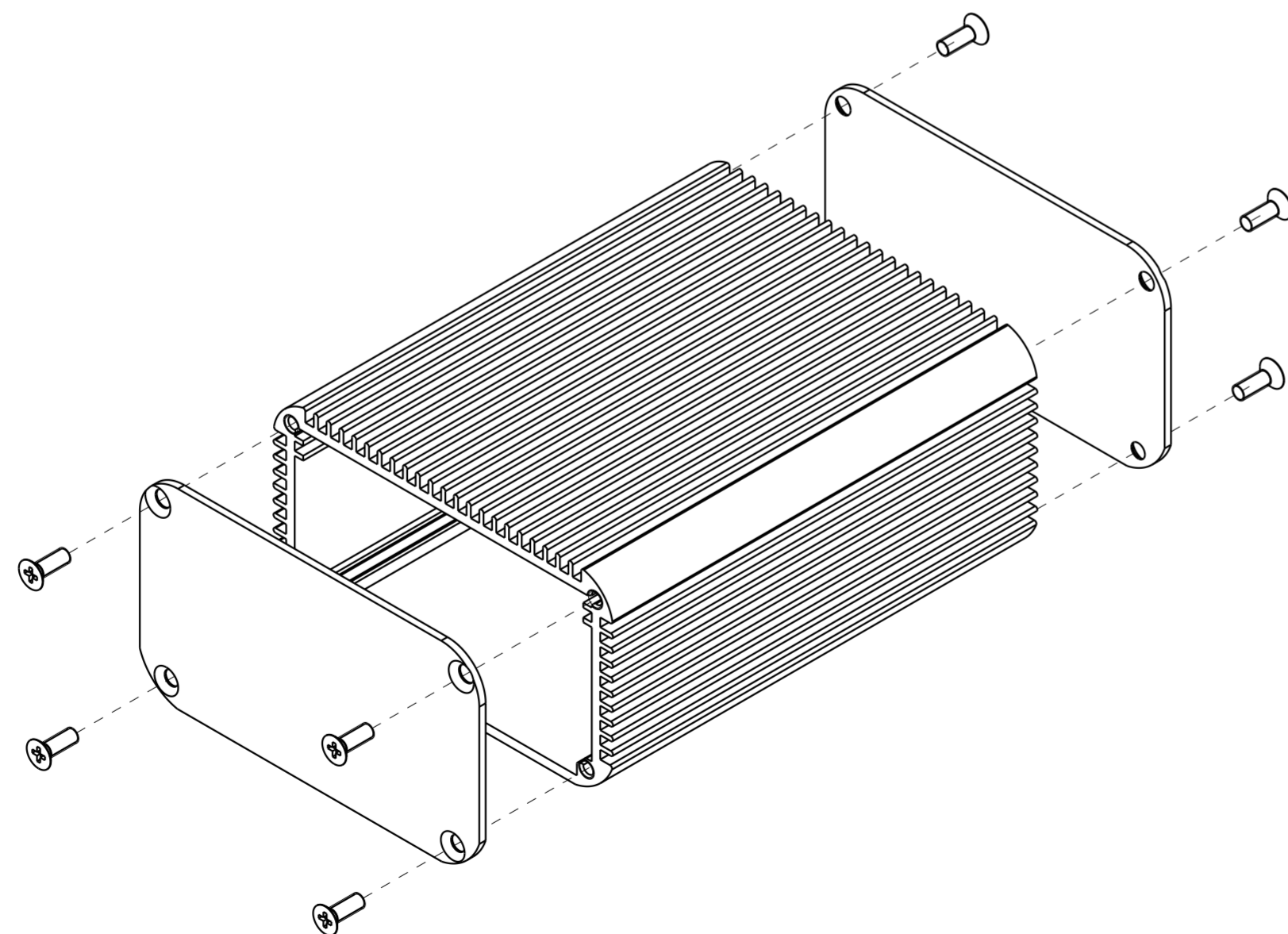
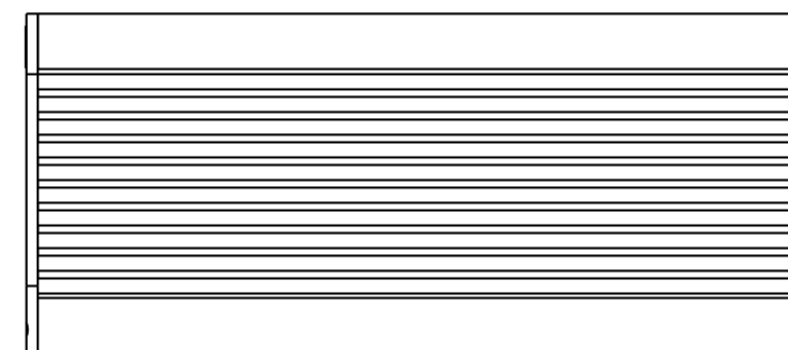
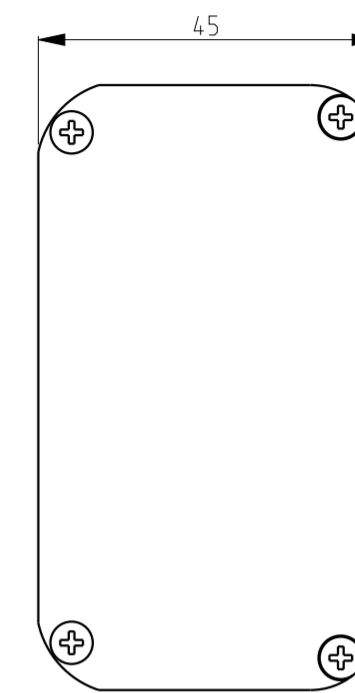
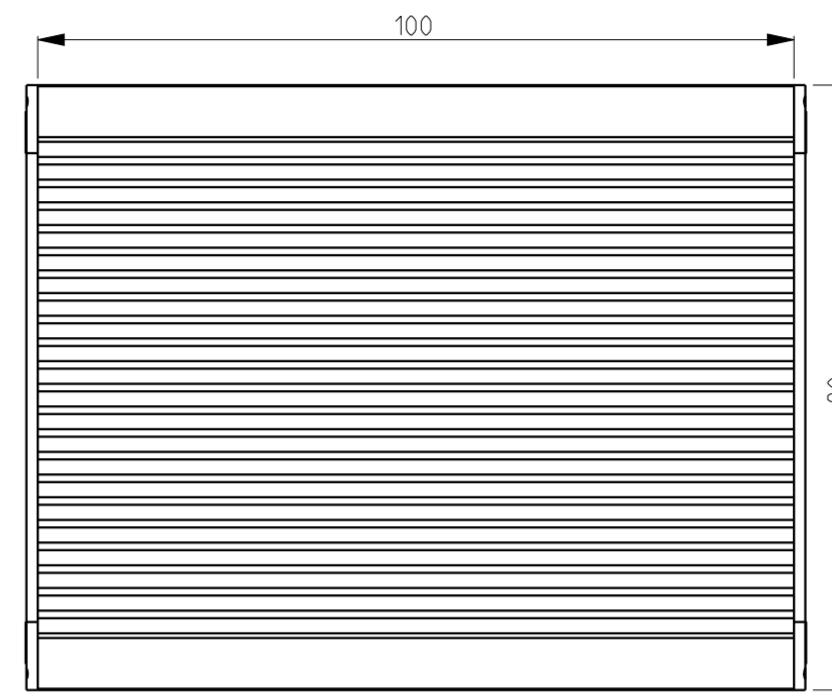


SCALE 2:1



Material: aluminum
 Finish: sandblasted or brushed
 Coating: anodized
 Color: black

00		ARTICLE CREATION			15/05/20	NIME	
INDEX	CHANGE	DESCRIPTION OF MODIFICATION				DATE	NAME
ALL DIMENSIONS ARE IN MM						PROJECTION TYPE	SCALE
General Tolerances ISO2768mK							1:1
Nin.	0.5	30	120	315		MATERIAL	WEIGHT (Kg)
Dim.	30	120	315	1000	PUNCH BEND MILLING	PART NAME	0.0
Tol.	±0.2	±0.3	±0.5	±0.8	±0.15 ±0.25 ±0.05	PROJECT	
DAVANTECH						D1001457	
This document is confidential and may not be made use of by or communicated to third parties without permission of Davantech Co., LTD							SHEET 1 OF 1
						A2	