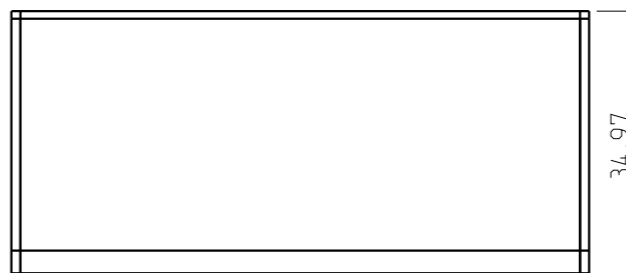
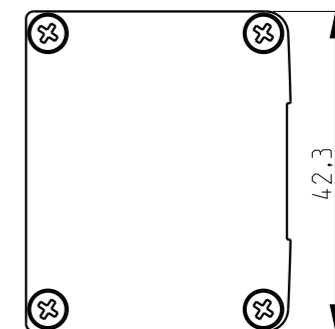
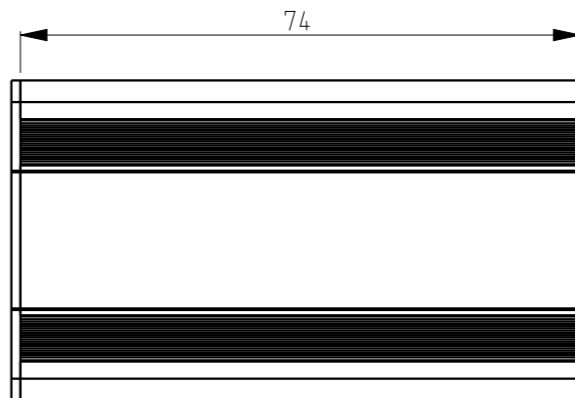
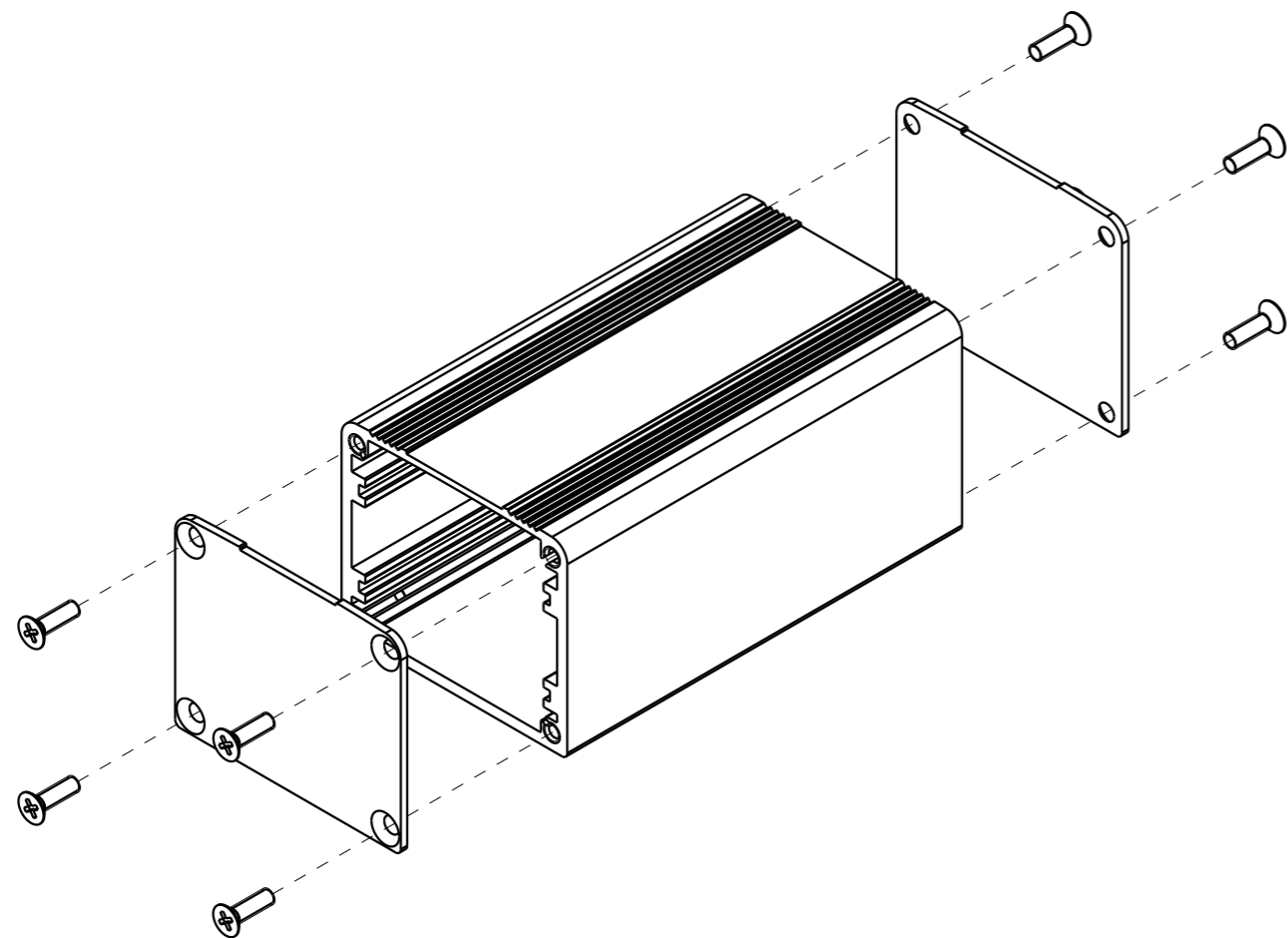


SCALE 2:1



Material: aluminum
 Finish: sandblasted or brushed
 Coating: anodized
 Color: black

INDEX	CHANGE	DESCRIPTION OF MODIFICATION						DATE	NAME		
		ALL DIMENSIONS ARE IN MM						PROJECTION EURO	SCALE	MATERIAL	WEIGHT (Kg)
		General Tolerances ISO2768mK							1:1		0,0
Nin.	0.5	30	120	315				PART NAME J01-42.3W35H74L			
Dim.	30	120	315	1000	PUNCH	BEND	MILLING	PROJECT ALUMINUM HOUSING SET			
Tol.	±0.2	±0.3	±0.5	±0.8	±0.15	±0.25	±0.05	PROJECT ALUMINUM HOUSING SET			
DAVANTECH								D1001454			
<small>This document is confidential and may not be made use of by or communicated to third parties without permission of Davantech Co., Limited</small>								SHEET 1 OF 1		A3	