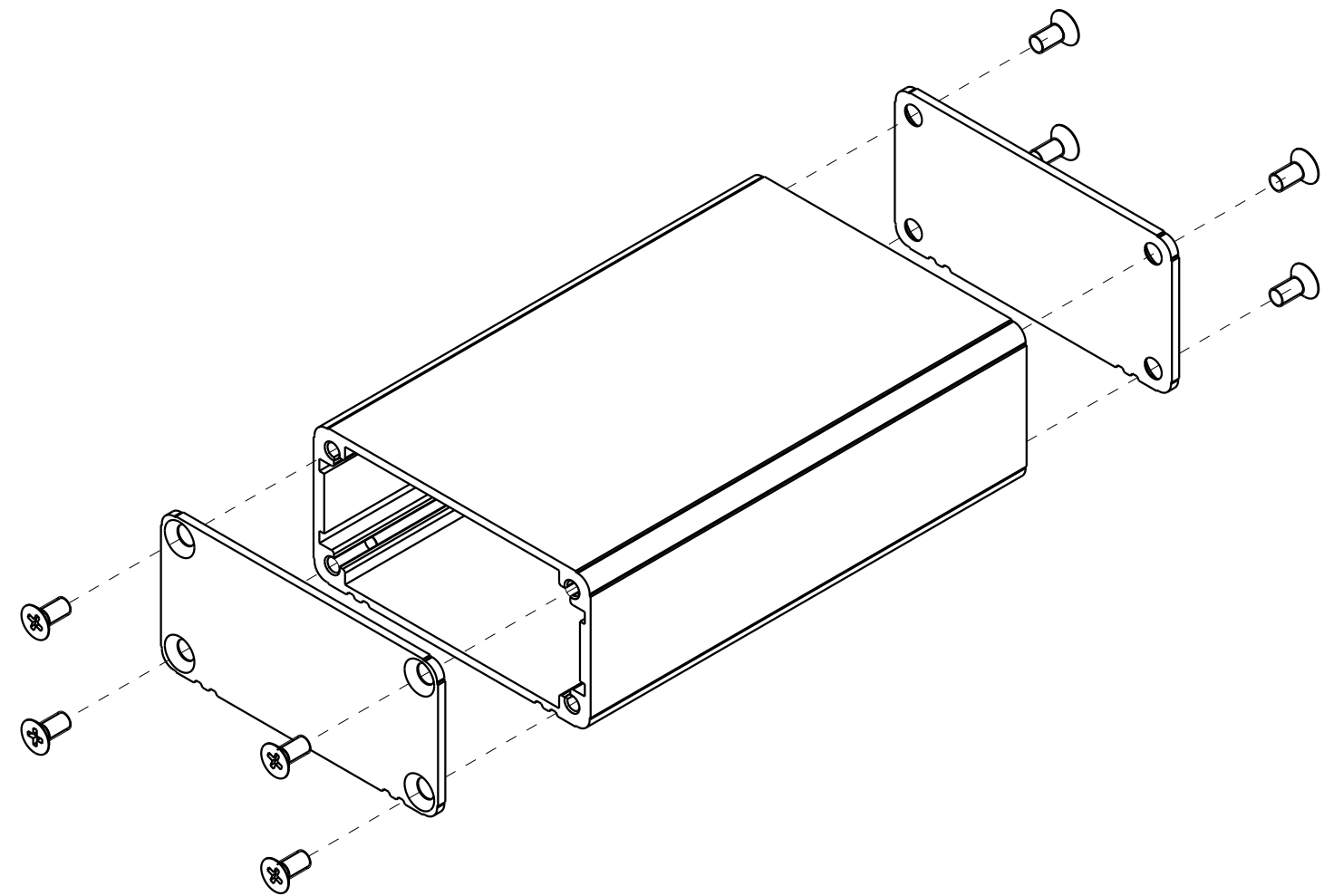
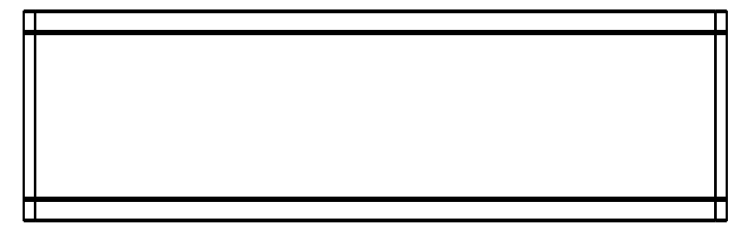
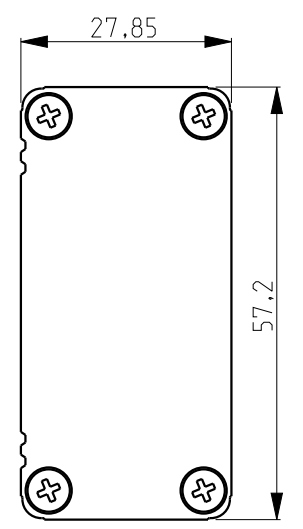
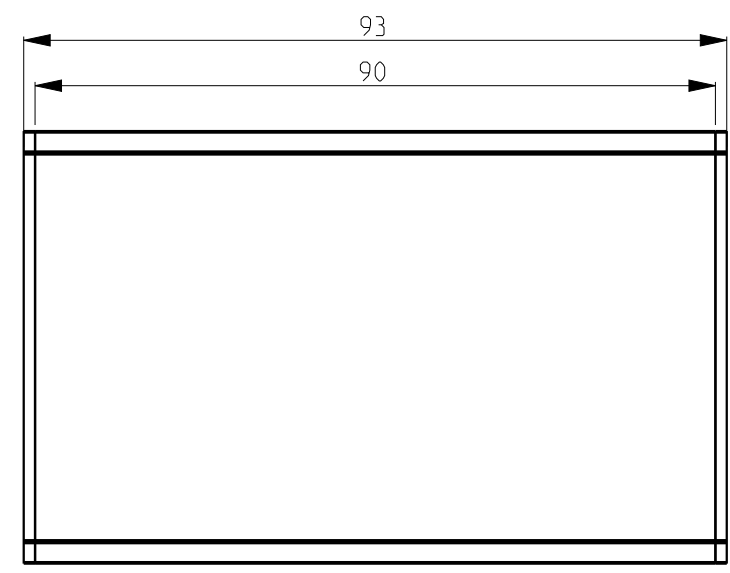


SCALE 2:1



Material: aluminum
 Finish: sandblasted or brushed
 Coating: anodized
 Color: black

00		ARTICLE CREATION				28/05/20		NIME	
INDEX	CHANGE	DESCRIPTION OF MODIFICATION						DATE	NAME
ALL DIMENSIONS ARE IN MM								PROJECTION EURO	SCALE
General Tolerances ISO2768mK									1:1
Nin.	0.5	30	120	315				MATERIAL	WEIGHT (Kg)
Dim.	30	120	315	1000	PUNCH	BEND	MILLING	PART NAME	
Tol.	±0.2	±0.3	±0.5	±0.8	±0.15	±0.25	±0.05	PROJECT	
DAVANTECH								D1001451	
This document is confidential and may not be made use of by or communicated to third parties without permission of Davantech Co., Limited								SHEET 1 OF 1	