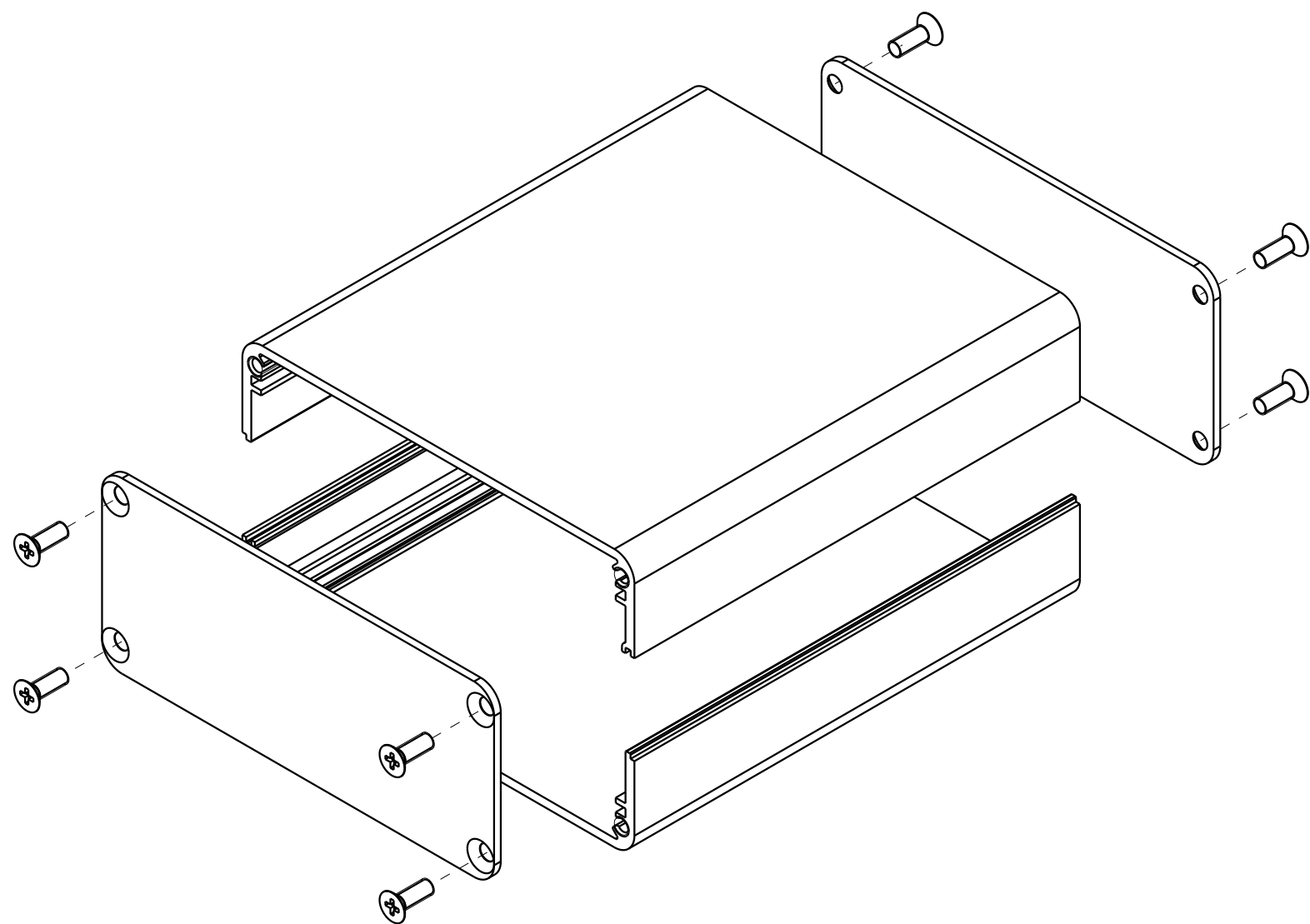
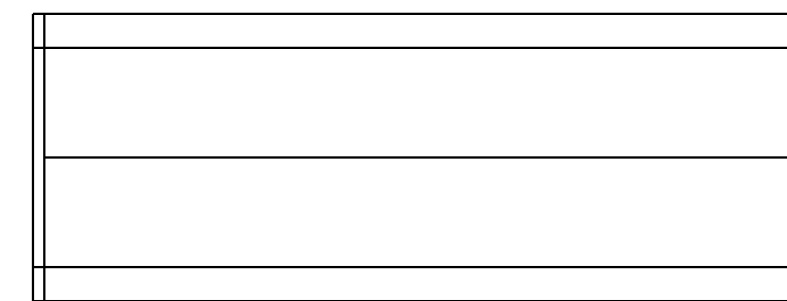
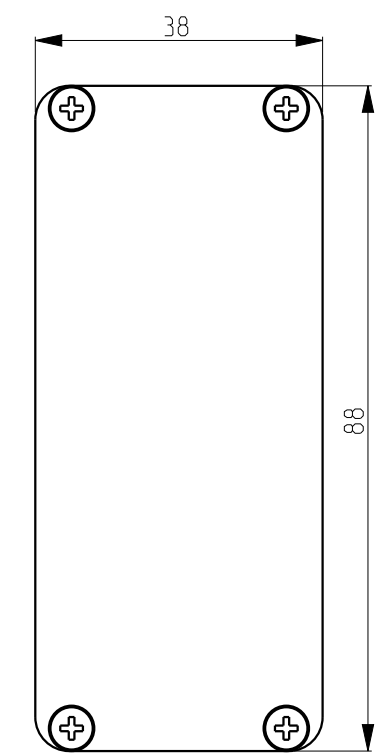
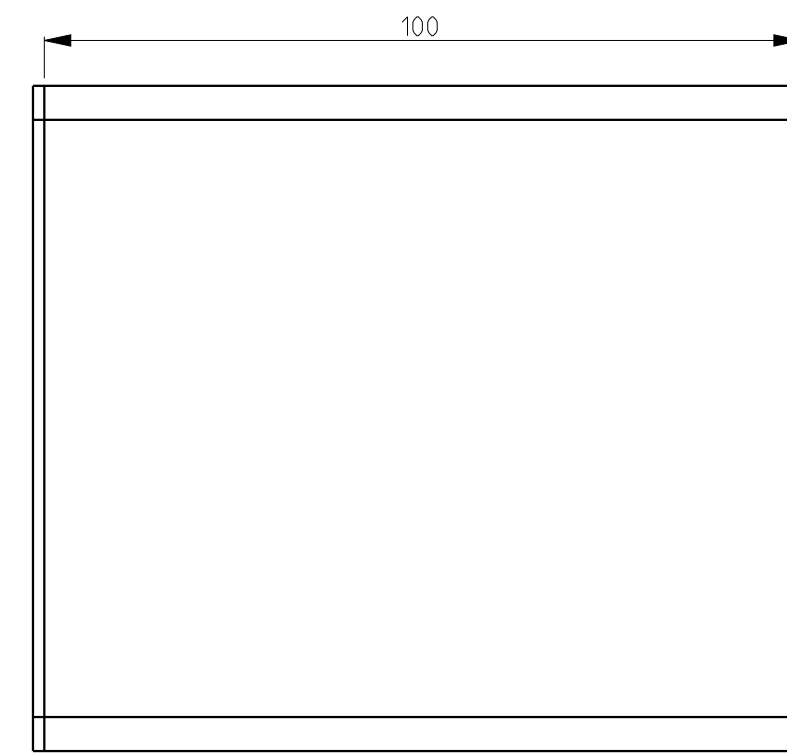


SCALE 2:1



Material: aluminum
 Finish: sandblasted or brushed
 Coating: anodized
 Color: black

| INDEX | CHANGE | DESCRIPTION OF MODIFICATION | DATE | NAME | | | | | | | | | | | | | | | | | | | | | |
|---|----------------------|-----------------------------|-----------------|---------------------|----------|-------------|-----|------|----|-----|---|------|-----------|----------------|---------|----------------------|------|--|--|-------|------|---------|-------|-------|-------|
| 00 | | ARTICLE CREATION | 08/05/20 | NIME | | | | | | | | | | | | | | | | | | | | | |
| ALL DIMENSIONS ARE IN MM | | | | | | | | | | | | | | | | | | | | | | | | | |
| General Tolerances ISO2768mK | | | | | | | | | | | | | | | | | | | | | | | | | |
| <table border="1"> <tr> <td>Nin.</td> <td>0.5</td> <td>30</td> <td>120</td> <td>315</td> </tr> <tr> <td>Dim.</td> <td>30</td> <td>120</td> <td>315</td> <td>1000</td> </tr> <tr> <td>Tol.</td> <td>±0.2</td> <td>±0.3</td> <td>±0.5</td> <td>±0.8</td> </tr> </table> | | | Nin. | 0.5 | 30 | 120 | 315 | Dim. | 30 | 120 | 315 | 1000 | Tol. | ±0.2 | ±0.3 | ±0.5 | ±0.8 | <table border="1"> <tr> <td>PUNCH</td> <td>BEND</td> <td>MILLING</td> </tr> <tr> <td>±0.15</td> <td>±0.25</td> <td>±0.05</td> </tr> </table> | | PUNCH | BEND | MILLING | ±0.15 | ±0.25 | ±0.05 |
| Nin. | 0.5 | 30 | 120 | 315 | | | | | | | | | | | | | | | | | | | | | |
| Dim. | 30 | 120 | 315 | 1000 | | | | | | | | | | | | | | | | | | | | | |
| Tol. | ±0.2 | ±0.3 | ±0.5 | ±0.8 | | | | | | | | | | | | | | | | | | | | | |
| PUNCH | BEND | MILLING | | | | | | | | | | | | | | | | | | | | | | | |
| ±0.15 | ±0.25 | ±0.05 | | | | | | | | | | | | | | | | | | | | | | | |
| <table border="1"> <tr> <td>PROJECTION TYPE</td> <td>SCALE</td> <td>MATERIAL</td> <td>WEIGHT (Kg)</td> </tr> <tr> <td></td> <td>1:1</td> <td></td> <td></td> </tr> </table> | | | PROJECTION TYPE | SCALE | MATERIAL | WEIGHT (Kg) | | 1:1 | | | <table border="1"> <tr> <td>PART NAME</td> <td>H10-88W38H100L</td> </tr> <tr> <td>PROJECT</td> <td>ALUMINUM HOUSING SET</td> </tr> </table> | | PART NAME | H10-88W38H100L | PROJECT | ALUMINUM HOUSING SET | | | | | | | | | |
| PROJECTION TYPE | SCALE | MATERIAL | WEIGHT (Kg) | | | | | | | | | | | | | | | | | | | | | | |
| | 1:1 | | | | | | | | | | | | | | | | | | | | | | | | |
| PART NAME | H10-88W38H100L | | | | | | | | | | | | | | | | | | | | | | | | |
| PROJECT | ALUMINUM HOUSING SET | | | | | | | | | | | | | | | | | | | | | | | | |
| <p>DAVANTECH</p> | | | <p>D1001438</p> | | | | | | | | | | | | | | | | | | | | | | |
| <p>This document is confidential and may not be made use of by or communicated to third parties without permission of Davantech Co., LTD</p> | | | | <p>SHEET 1 OF 1</p> | | | | | | | | | | | | | | | | | | | | | |
| | | | A2 | | | | | | | | | | | | | | | | | | | | | | |