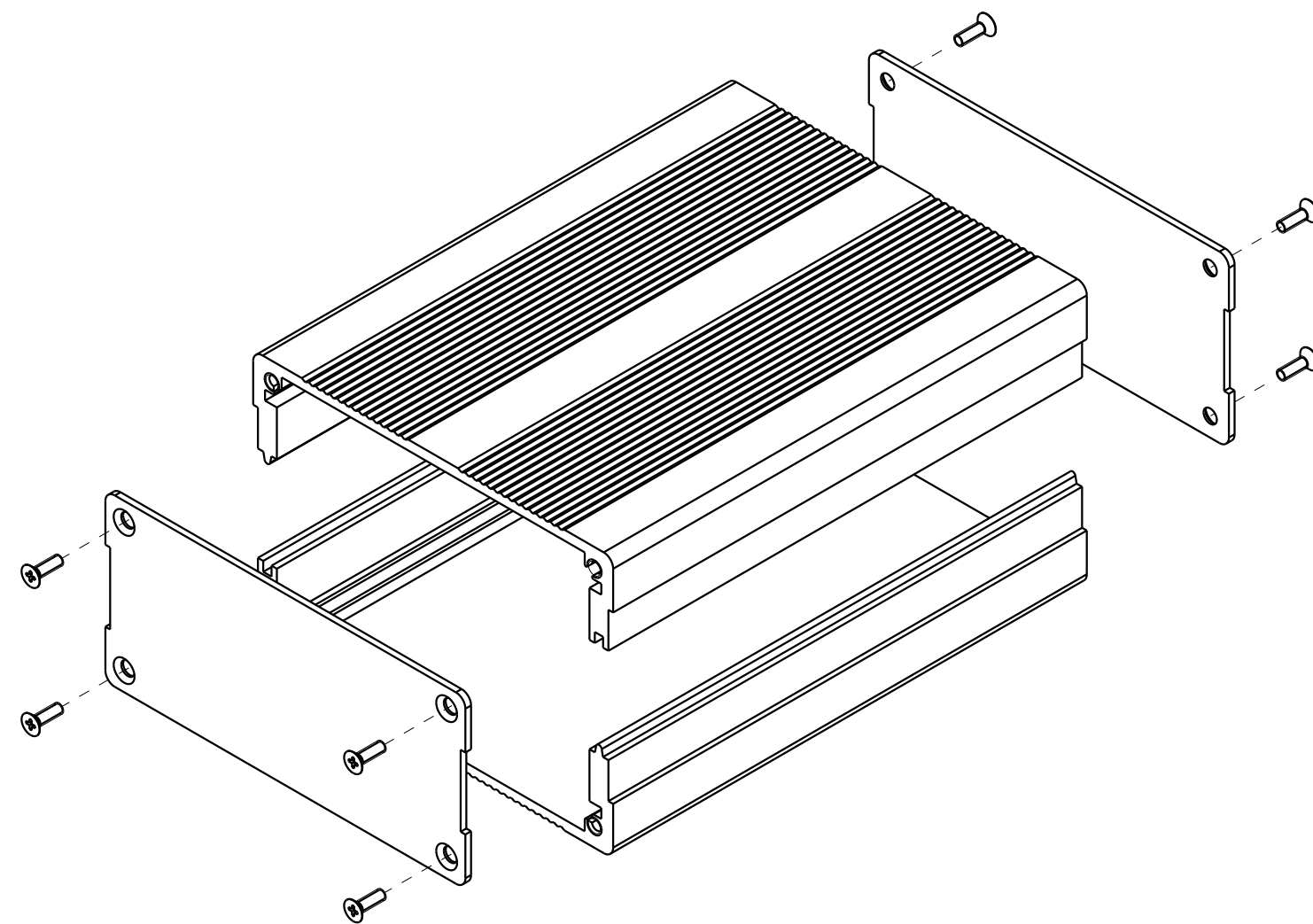
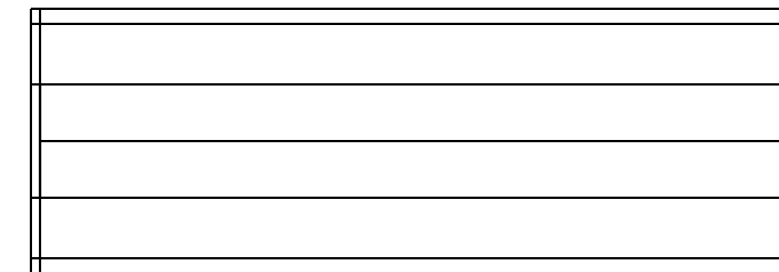
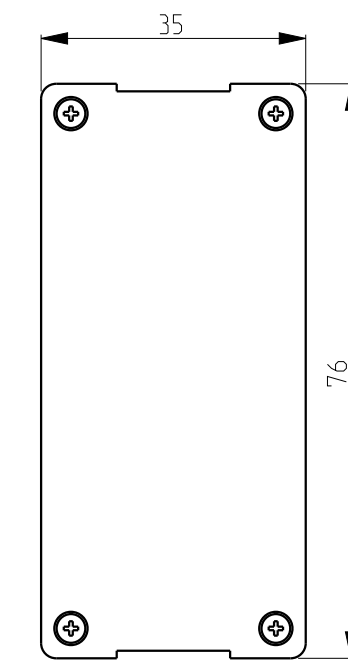
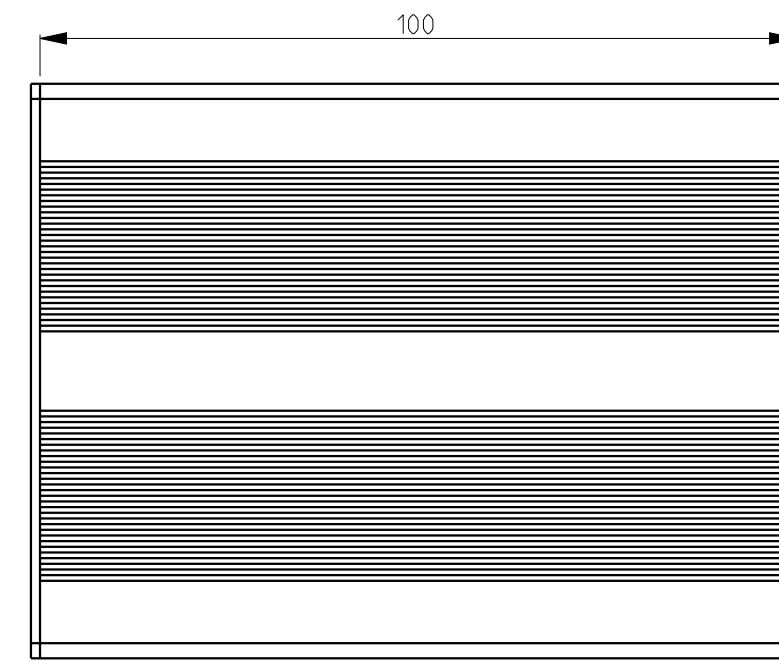


SCALE 2:1



Material: aluminum
 Finish: sandblasted or brushed
 Coating: anodized
 Color: black

INDEX	CHANGE	DESCRIPTION OF MODIFICATION	DATE	NAME
00		ARTICLE CREATION	08/05/20	NIME
		ALL DIMENSIONS ARE IN MM	SCALE	MATERIAL
		General Tolerances ISO2768mK	1:1	WEIGHT (Kg)
Nin.	0.5	30 120 315	PART NAME H8-76W35H100L	
Dim.	30	120 315 1000 PUNCH BEND MILLING	PROJECT ALUMINUM HOUSING SET	
Tol.	±0.2	±0.3 ±0.5 ±0.8 ±0.15 ±0.25 ±0.05	PROJECT ALUMINUM HOUSING SET	
DAVANTECH			D1001436	
<small>This document is confidential and may not be made use of by or communicated to third parties without permission of Davantech Co., LTD</small>				SHEET 1 OF 1