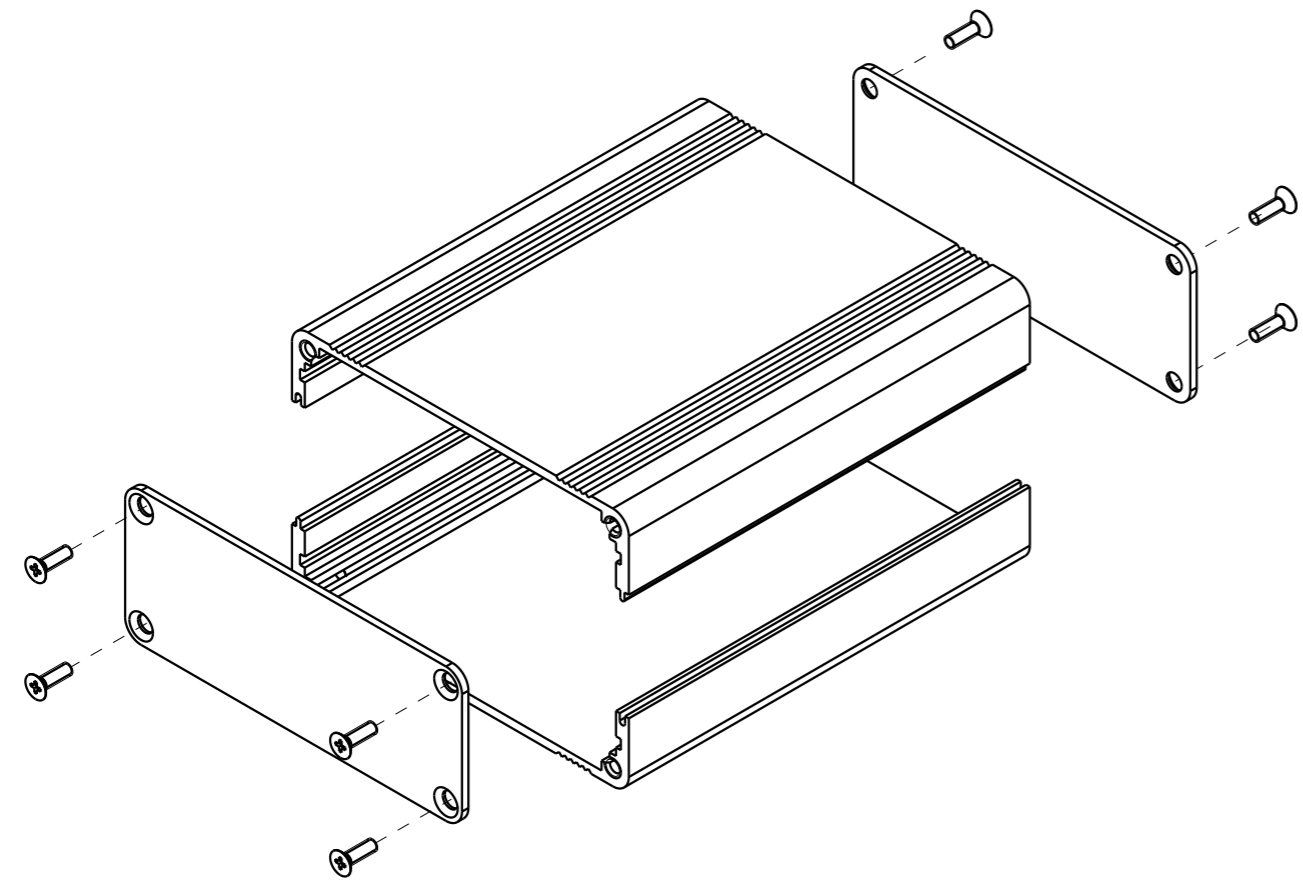
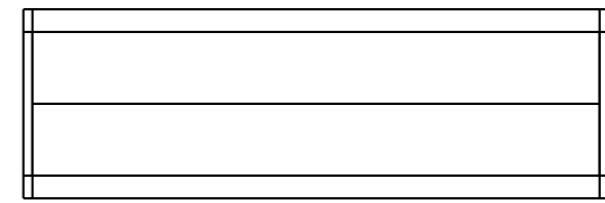
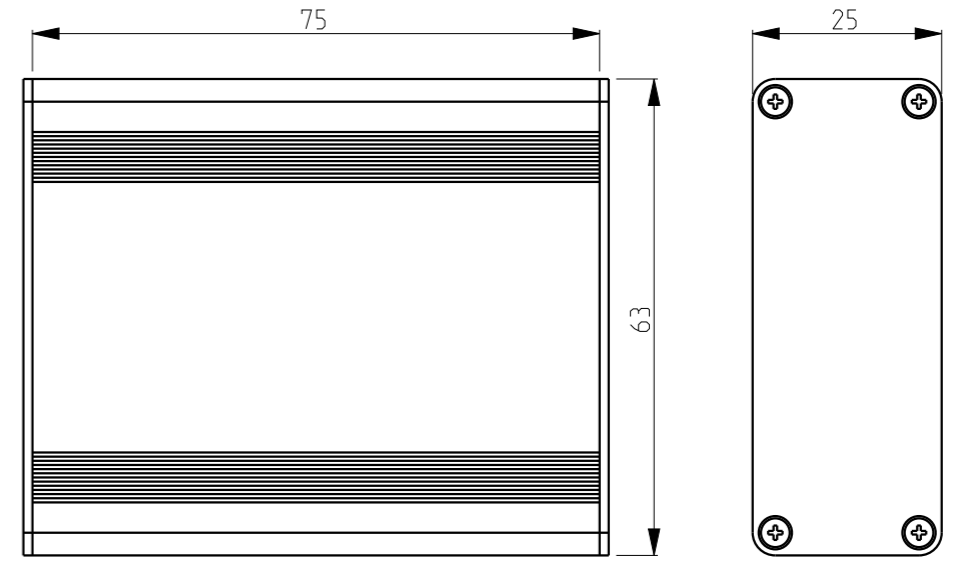


SCALE 2:1



Material: aluminum  
Finish: sandblasted or brushed  
Coating: anodized  
Color: black

00	ARTICLE CREATION				08/05/20	NIME		
INDEX	CHANGE	DESCRIPTION OF MODIFICATION				DATE	NAME	
ALL DIMENSIONS ARE IN MM					PROJECTION EURO	SCALE	MATERIAL	WEIGHT (Kg)
General Tolerances ISO2768mK						1:1		
Nin.	0.5	30	120	315	PART NAME			H06-63W25H75L
Dim.	30	120	315	1000	PUNCH	BEND	MILLING	PROJECT
Tol.	±0.2	±0.3	±0.5	±0.8	±0.15	±0.25	±0.05	ALUMINUM HOUSING SET
<b>DAVANTECH</b>							D1001435	
This document is confidential and may not be made use of by or communicated to third parties without permission of Davantech Co., Limited							SHEET 1 OF 1	