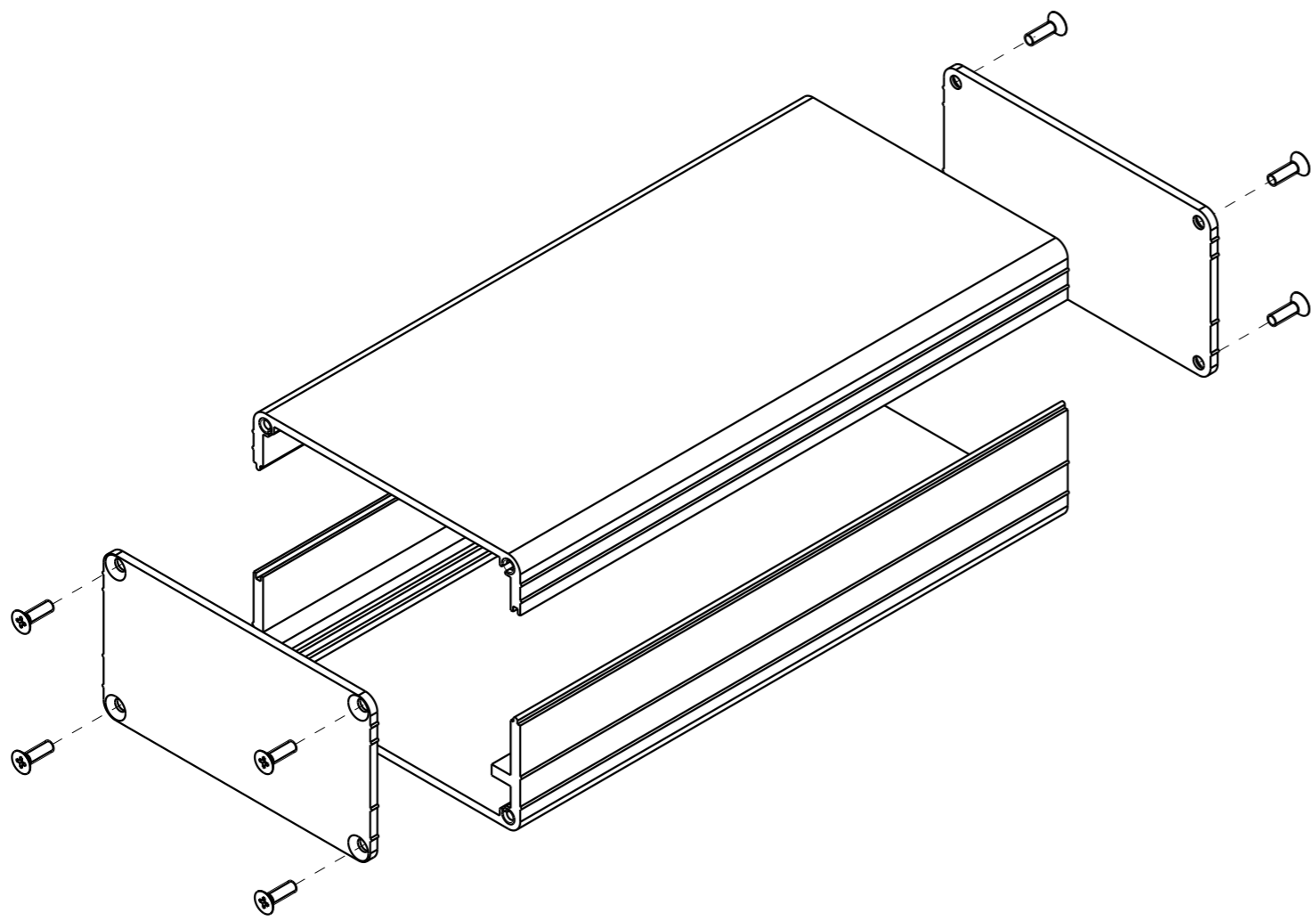
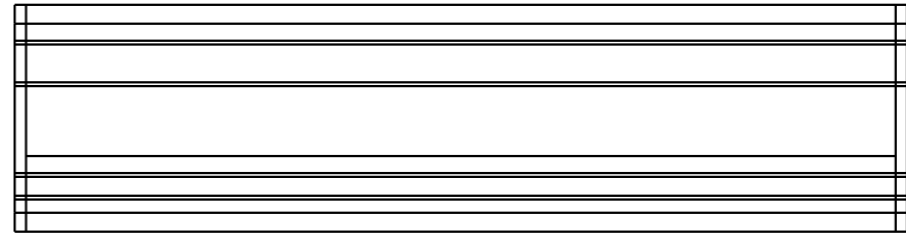
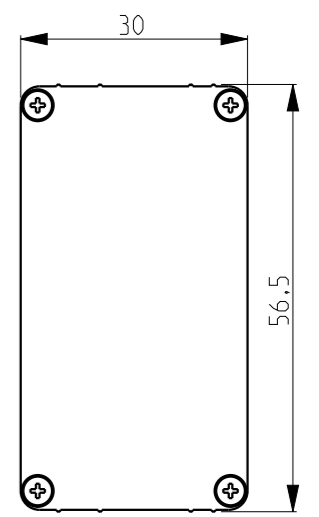
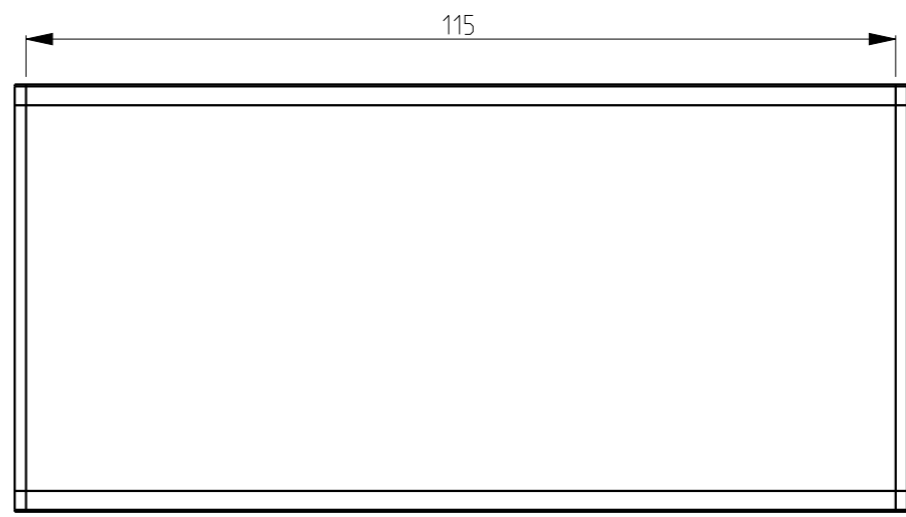


SCALE 2:1



Material: aluminum
 Finish: sandblasted or brushed
 Coating: anodized
 Color: black

00		ARTICLE CREATION				05/05/20		NIME	
INDEX	CHANGE	DESCRIPTION OF MODIFICATION						DATE	NAME
ALL DIMENSIONS ARE IN MM								PROJECTION EURO	SCALE
General Tolerances ISO2768mK									1:1
Nin.	0.5	30	120	315					MATERIAL
Dim.	30	120	315	1000	PUNCH	BEND	MILLING	WEIGHT (Kg)	
Tol.	±0.2	±0.3	±0.5	±0.8	±0.15	±0.25	±0.05	PART NAME	
								H5-56W30H115L	
								PROJECT	
								ALUMINUM HOUSING SET	
DAVANTECH								D1001434	
This document is confidential and may not be made use of by or communicated to third parties without permission of Davantech Co., Limited								SHEET 1 OF 1	
								A3	