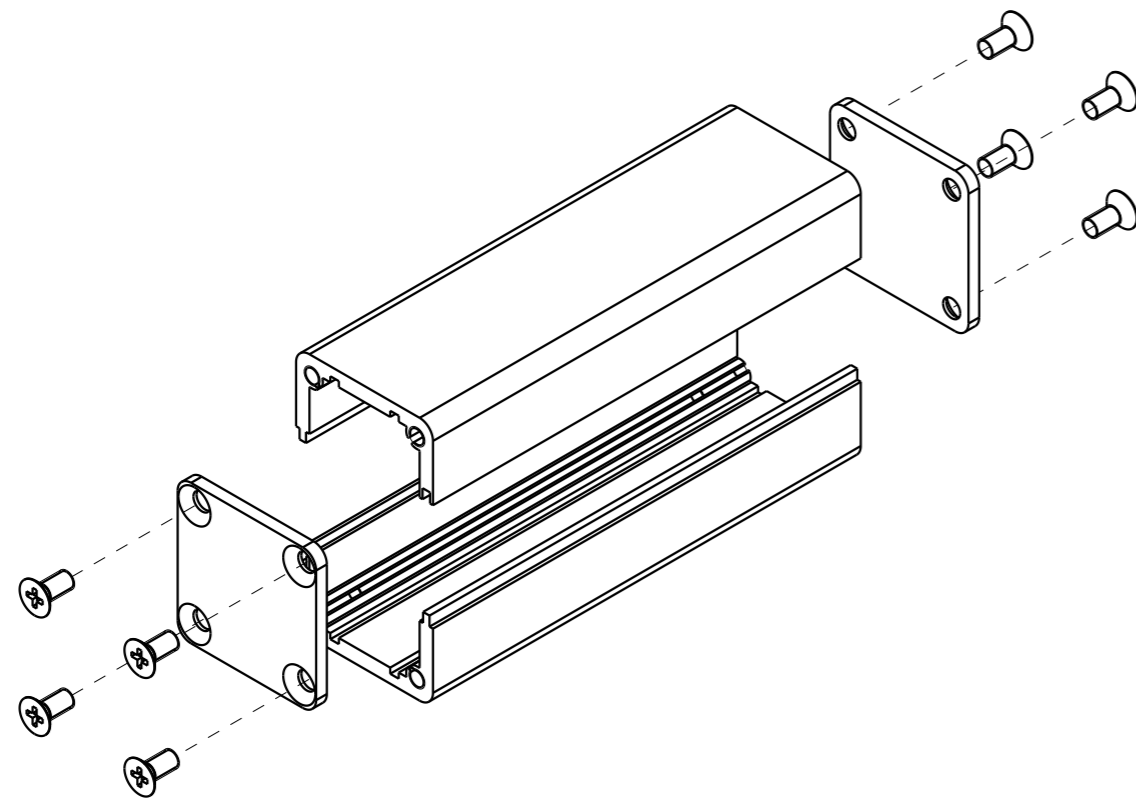
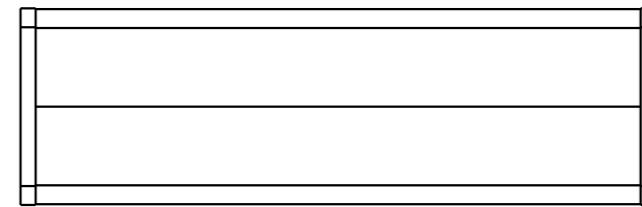
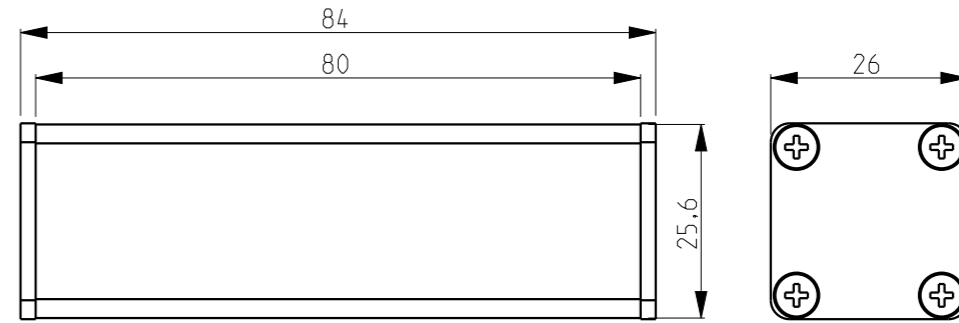


SCALE 2:1



Material: aluminum
 Finish: sandblasted or brushed
 Coating: anodized
 Color: black

00		ARTICLE CREATION			04/05/20		NIME	
INDEX	CHANGE	DESCRIPTION OF MODIFICATION					DATE	NAME
ALL DIMENSIONS ARE IN MM					PROJECTION EURO	SCALE	MATERIAL	WEIGHT (Kg)
General Tolerances ISO2768mK						1:1		
Nin.	0.5	30	120	315		PART NAME HI-25W25H80L		
Dim.	30	120	315	1000	PUNCH	BEND	MILLING	PROJECT ALUMINUM HOUSING SET
Tol.	±0.2	±0.3	±0.5	±0.8	±0.15	±0.25	±0.05	
DAVANTECH							DI001431	
This document is confidential and may not be made use of by or communicated to third parties without permission of Davantech Co., Limited							SHEET 1 OF 1	
							A3	